

Flex LED Tape WP



SPECIFICATIONS

Average Rated Life: 30,000 hours

Operating Temperature: -40°C to 80°C

Tape Adhesive Temperatures: -30°C to 90°C

ELATION FLEX LED TAPE WP is a very thin and flexible LED circuit strip mounted inside a silicone water proof sleeve. It can be cut every 2" and put back together using simple soldering techniques and silicone seal kit. It comes available in RGB and Single Color versions. High output, low heat and easy installation make this product the ideal product for a variety of applications.

FLEX RGB WP+ TAPE SPECIFICATIONS

View Angle: 120°

IP Rating: IP65, wet location

Length: 3 meters / 9.8 feet

Width: 4.5 mm

Power Consumption: 43.2w

Voltage: DC12V

LEDs: 180 SMD

Wiring Diagram:

W	Power supply DC12V+
R	Red color LED DC12V-
G	Green color LED DC12V-
B	Blue color LED DC12V-



SINGLE COLOR TAPE SPECIFICATIONS

View Angle: 120°

IP Rating: IP65, wet location

Length: 6 meters / 20 feet

Width: 4.5 mm

Power Consumption: 28.8w

Voltage: DC12V

LEDs: 360 SMD

Wiring Diagram:

W	Power supply DC12V+
C	Color LED DC12V-



DMX Accessories



Flex RGB+ WP



Elar Driver-1



S-150-12V



Elar Driver-8



Flex PSU 4A

Wireless Remote Accessories



Flex RGB+ WP



Flex RGBC+ WR LED



Flex PSU 4A



Flex RGBA+

Flex LED Tape WP



PRODUCT ORDERING SPECIFICATIONS

Order Number	Description
Flex RGB WP+	10' roll RGB tape
Flex WW WP	20' roll warm white tape, 2700°k
Flex CW WP	20' roll cool white tape, 6000°k
Flex B WP	20' roll blue tape
Flex R WP	20' roll red tape
Flex G WP	20' roll green tape

WIRELESS REMOTE OPTION ITEMS

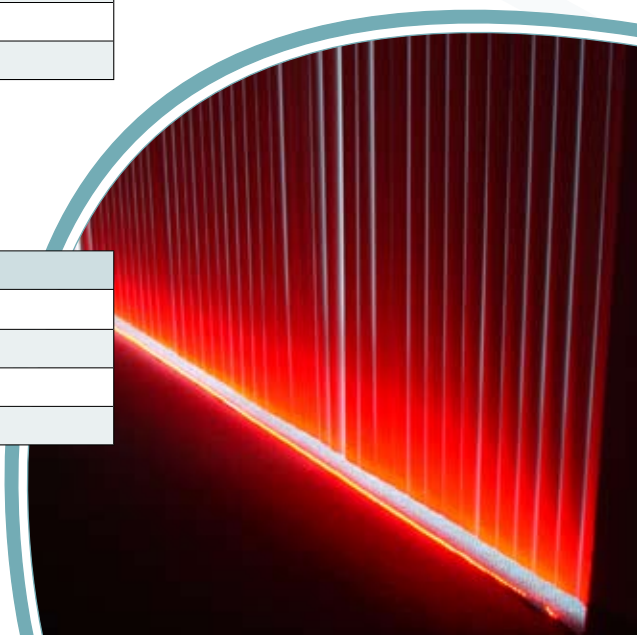
Order Number	Description
Flex RGB C+	Control for 2 RGB tapes
Flex RGBA+	Amplifier for 2 RGB tapes
Flex PSU4A	Power supply per control and amplifier
WR LED	Wireless credit card remote

DMX CONTROL OPTION ITEMS

Order Number	Description
ELAR Driver 1	3 channel DMX driver only
ELAR Driver 8 12 V	150W power supply and 32 channel DMX driver
ELAR PSU4A	50W power supply 4 amp
S-150-12V	150W power supply 12.5 amp

ACCESSORIES

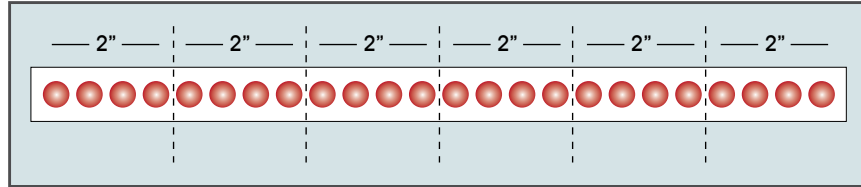
Order Number	Description
Flex Clip Kit	Mounting clips for WP tape
Flex IP Clip Kit	Silicon, end caps and 2 clips for WP tape
Flex EC 20CM	20CM (8") RGB extension
Flex EC 3M	3M (10') extension



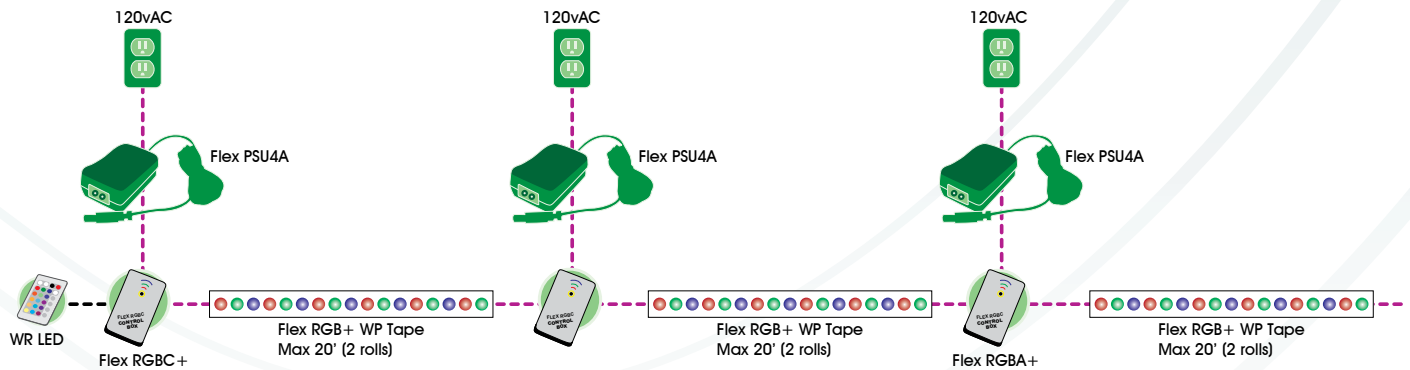
Flex LED Tape WP



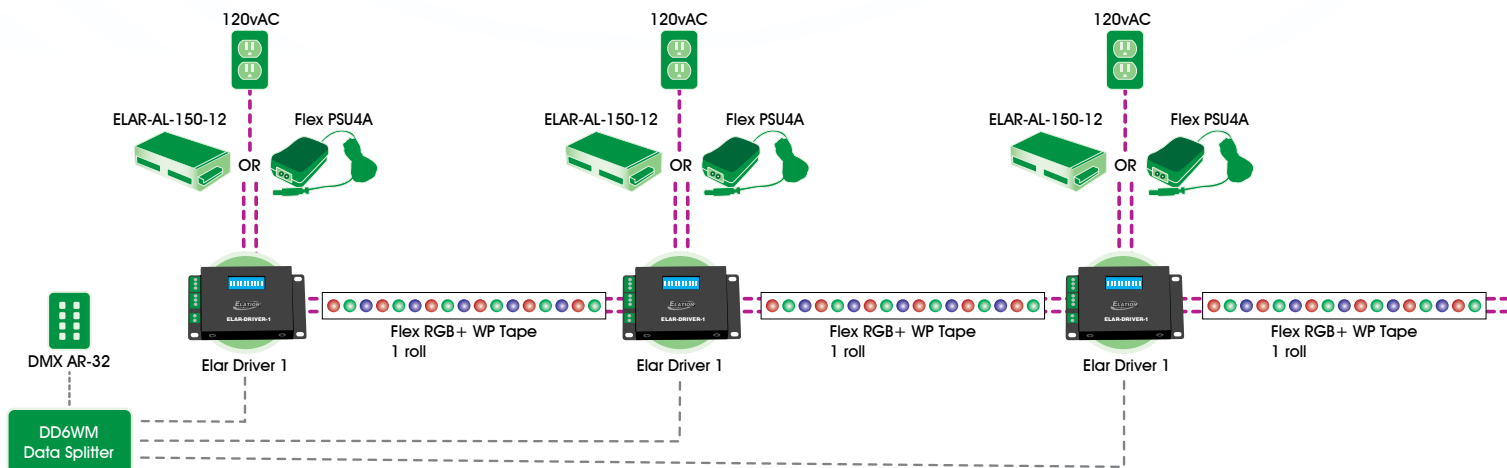
Flex LED Tape WP can be cut every 2" and put back together using simple soldering techniques and silicone seal kit



FLEX RGB WP+ WIRELESS REMOTE CONNECTION DIAGRAM



FLEX RGB WP+ ELAR DRIVER 1 DMX DIAGRAM

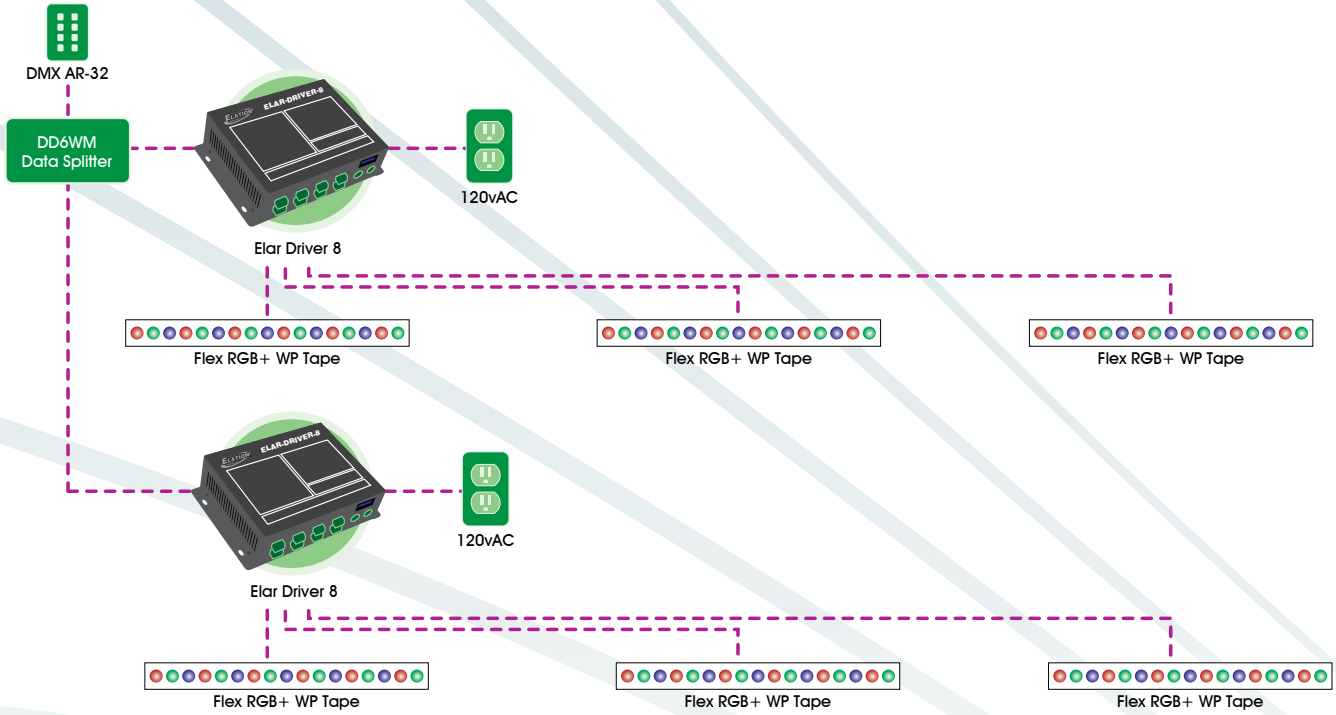


Flex LED Tape WP



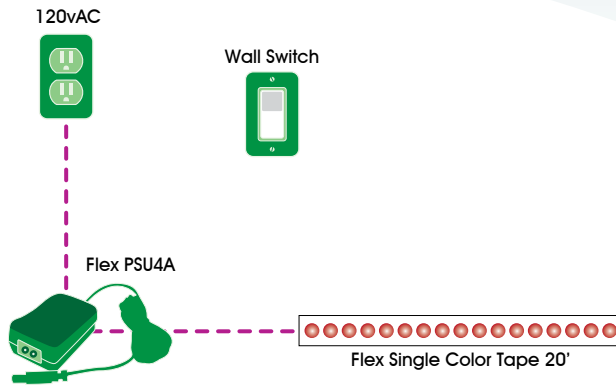
FLEX RGB WP+ ELAR DRIVER 8 DMX DIAGRAM

Maximum 3 Rolls Per ELAR Driver-8

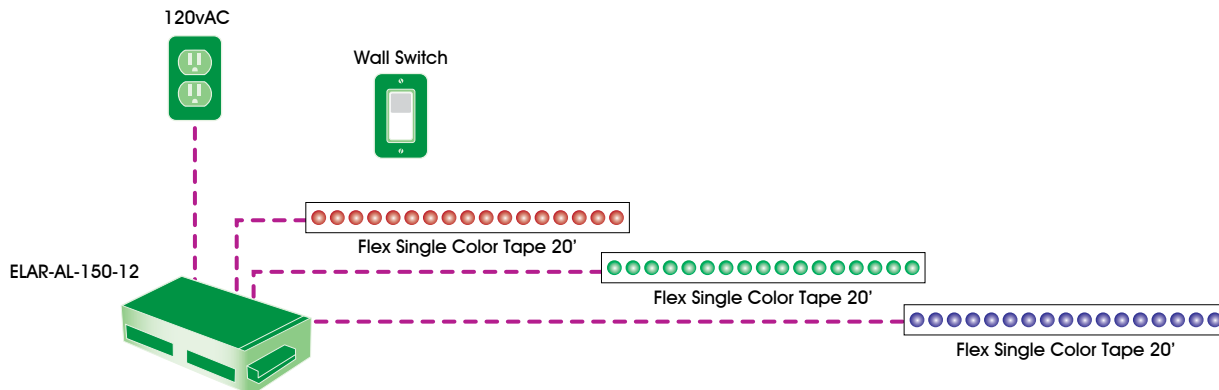


FLEX SINGLE COLOR TAPE DC12V POWER ON OFF DIAGRAM

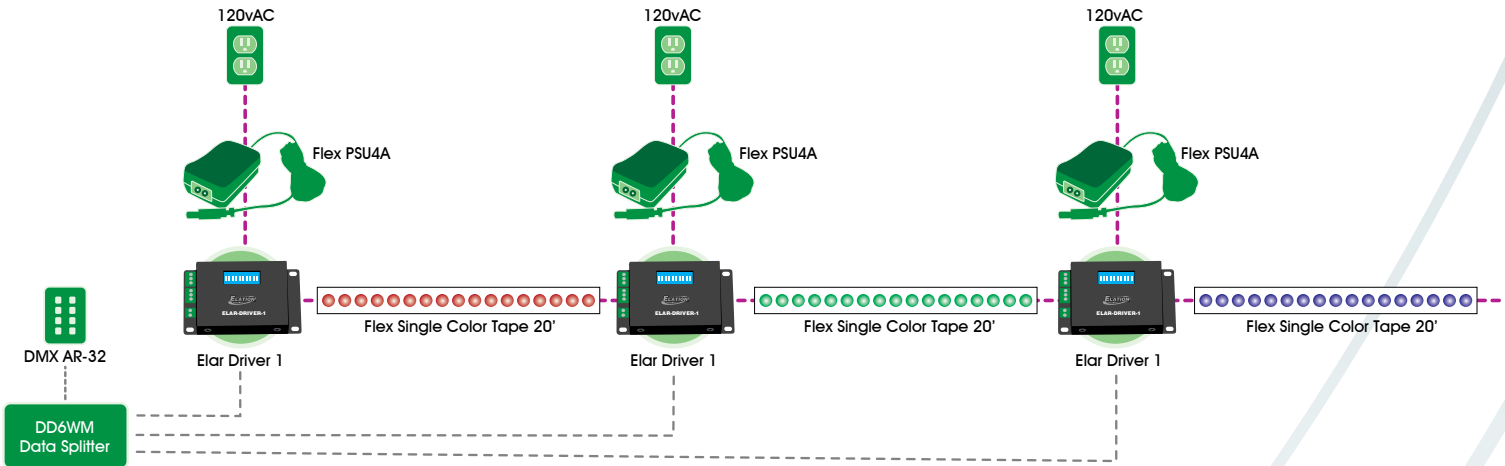
Maximum 1 Roll Per Flex PSU4A



Maximum 5 Rolls Per ELAR S-150-12



FLEX SINGLE COLOR TAPE ELAR DRIVER-1 DMX DIAGRAM



FLEX SINGLE COLOR TAPE ELAR DRIVER-8 DMX DIAGRAM

Maximum 5 Rolls Per ELAR Driver-8

