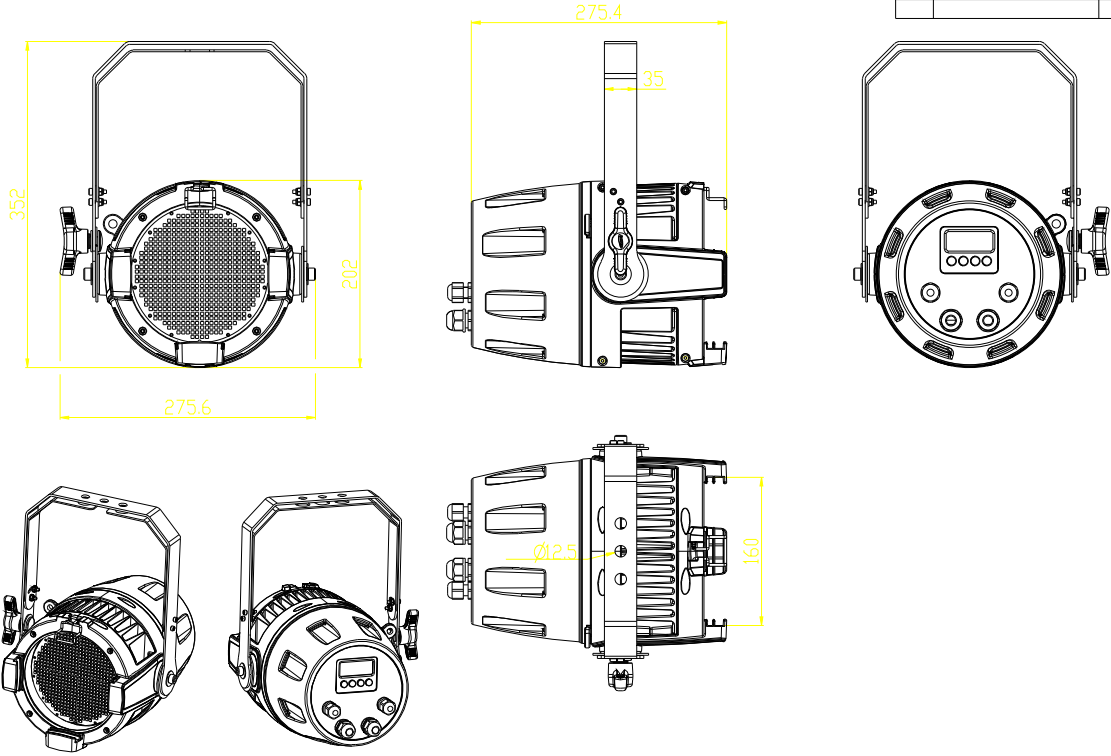


REVISIONS			
REV	DESCRIPTION	DATE	APP



Elation Pro

Title:	ASSEMBLY DRAWING	Rev	2.0	Scale	1:1	Quantity	
Project:	Protron LED Strobe	Material		Projection			
Drawing No:		Designed		Checked		Approved	
Tolerance							
<50	50-200	>200	±0.30	Ra			
H15	H2	H3	f1'	R'			
				HaileHe			