



ProTron LED Strobe™

SKU# PRO256

FEATURES

- High Power 6,500K Cool White Surface Mount LEDs
- Low 150W Power Consumption
- 28,000 Total Lumens / 120° Beam Angle
- IP65 Rated Rugged Die Cast Aluminum Case
- 100,000 Hour Rated Life LEDs
- Selectable Dimming Curves
- Multiple Zone Chase and Effects
- RDM (Remote Device Management)
- Flicker Free Operation for TV and FILM
- Integrated Split Yoke Rigging Bracket



The new IP65 rated ProTron LED STROBE™ features (576) high power, long life 6,500K Cool White surface mount LEDs, a 120° beam angle producing 28,000 total lumens, selectable dimming curves, multiple zone chase effects, RDM (Remote Device Management), flicker free operation for TV and Film, 3pin DMX and power in/out connections, LCD menu display with 4 button control panel, integrated split yoke rigging bracket, and a multi-voltage universal auto switching power supply (100-240v).



Specifications are preliminary and subject to change without notice ©Elation Professional

Elation Professional USA - Corporate Headquarters | 6122 S. Eastern Ave. | Los Angeles, CA. 90040
323-582-3322 | 323-832-9142 fax | www.elationlighting.com | info@elationlighting.com

Elation Professional B.V. | Junostraat 2 | 6468 EW Kerkrade, Netherlands
+31 45 546 85 66 | +31 45 546 85 96 fax | www.elationlighting.eu | info@elationlighting.eu

PRODUCT SPECIFICATIONS

FEATURES

High Power 6,500K Surface Mount Cool White LEDs
 Low 150W Power Consumption
 IP65 Rated Rugged Die Cast Aluminum Case
 Selectable Dimming Curves
 RDM (Remote Device Management)
 Flicker FREE Operation for TV and FILM
 Integrated 6.25" Gel Frame Holder
 Split Yoke Rigging Bracket

SOURCE

(576) 6,500K Cool White Surface Mount LEDs
 100,000 Hour Average Life

PHOTOMETRIC DATA

120° Beam Angle
 28,000 Total Lumens

EFFECTS

Variable Strobe Intensity, Rate, and Duration Control
 Multiple Zone Chase Effects

CONTROL / CONNECTIONS

4 DMX Channel Modes (1 / 3 / 4 / 6)
 4 Button Control Panel and LCD Menu Display
 RDM (Remote Device Management)
 3pin DMX In/Out
 Power In/Out

SIZE / WEIGHT

Length: 10.8" (275.5 mm)
 Width: 10.8" (273.5 mm)
 Vertical Height: 13.9" (352 mm)
 Weight: 11.7 lbs. (5.3 kg)

ELECTRICAL / THERMAL

AC 100-240V - 50/60Hz
 150W Max Power Consumption
 32°F to 104°F (-0°C to 40°C)

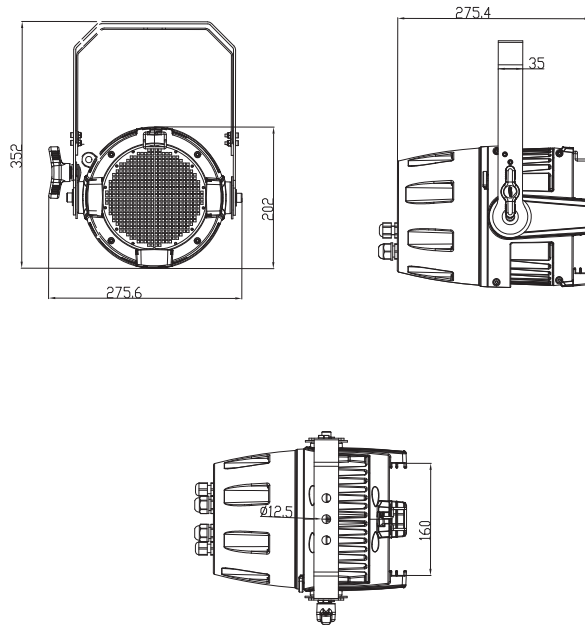
APPROVALS / RATINGS

CE Approved
 cETLus Approved
 IP65 Rated

PHOTOMETRIC DATA

Pending

DIMENSIONAL DRAWINGS



OPTIONAL ACCESSORIES

...